

## Using the Locking Lever:

- First, set your desired tension with the main knob.
- Push the locking lever toward the body to completely lock movement.
- Pull it back to return to your preset tension.

## Using the Rotation Knob:

- This controls the rotation base.
- Clockwise = lock rotation completely.
- Counterclockwise = free rotation.

## Using the Drop Notch:

- The drop notch is a slot at the front of the ball head's main body.
- Put the ball into that slot if you want your mounted device to point straight down at a 90° angle when stowed.

For more information regarding Customer Service, Maintenance, Operations, & Warranty please scan the QR code or visit [www.kjitr pods.com](http://www.kjitr pods.com)



NOMAD BALL HEAD



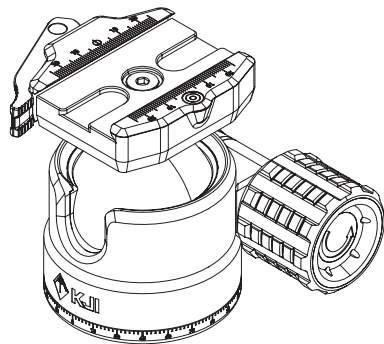
BALL TENSION  
LOCK LEVER



PAN  
KNOB



CLAMP  
LEVER



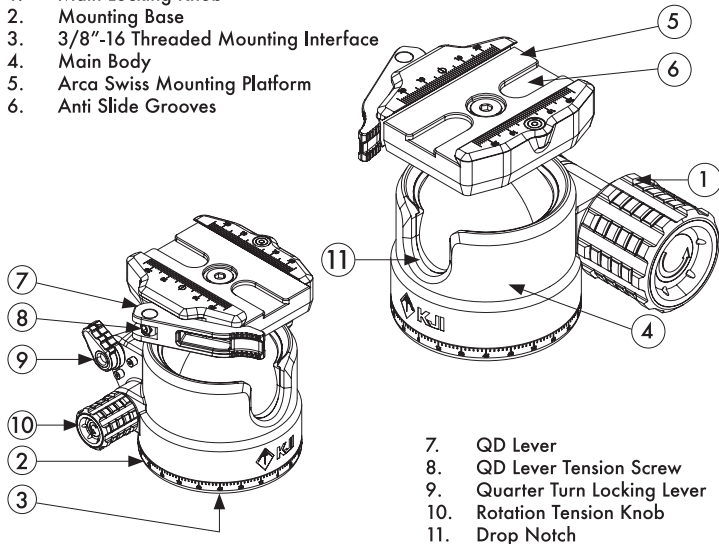
## QUICK START GUIDE

KJI is a trademark of Sellmark Corporation, all rights reserved.  
All trademarks and registered trademarks are the property of their respective owners. KJI, 2201 Heritage Pkwy Mansfield, TX 76063  
Manufactured for Sellmark Corporation. In EU, distributed by Sellmark OOD  
104 A Akademik Ivan E.Geshov Blvd, Floor 4, Office 6, 1612 Sofia, Bulgaria

**KJ86024**

## Components Diagram:

1. Main Locking Knob
2. Mounting Base
3. 3/8"-16 Threaded Mounting Interface
4. Main Body
5. Arca Swiss Mounting Platform
6. Anti Slide Grooves



7. QD Lever
8. QD Lever Tension Screw
9. Quarter Turn Locking Lever
10. Rotation Tension Knob
11. Drop Notch

## Operation:

### Mounting the Nomad Ball Head:

- On the bottom of the Nomad Ball Head is a 3/8"-16 threaded hole.
- Screw it onto a support device with the same 3/8"-16 threaded post.
- Hand-tighten, then turn the rotation locking knob to secure it.

### Attaching Devices:

- Swing the quick-detach (QD) lever outward to open the Arca mount.
- Place your Arca-compatible device into the mount.
- Swing the lever back toward the body. It should get slightly harder to close before it locks – this is normal.
- Press the lever firmly to fully secure it.

### Adjusting QD Lever Tension:

- If the lever feels loose or the device moves, open it again.
- Use the included hex key to tighten the tension screw inside the lever.
- Test by remounting your device and closing the lever.
- Repeat until it locks snugly and doesn't move.
- Devices with slide-lock screws will fit into the anti-slide grooves.

### Using the Main Locking Knob:

- Turn clockwise to fully lock the ball head.
- Turn counterclockwise to loosen it for free movement.